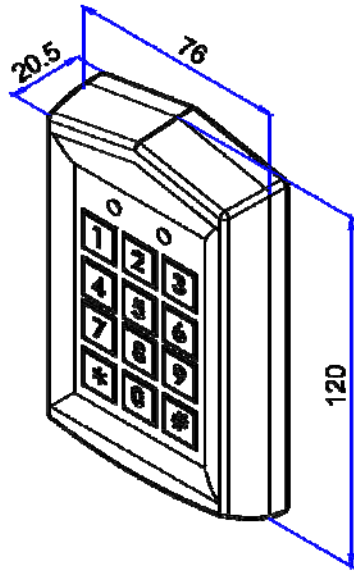


# DG-800 Stand-Alone Proximity Reader Instruction Manual



## I. Features

1. Memory volume up to 1000+10 proximity cards/tokens and PINs with the programming time up to 0.5 seconds.
2. Access modes:
  - a. Only Proximity Card (default setting)
  - b. PIN or Proximity Card
  - c. PIN + Proximity Card
3. Logical memory prevents duplicated card setting.
4. Lockout Function: The controller will lockout for 60 seconds after entering 5 times invalid codes or cards. (The keypad doesn't beep during the period of time).
5. Controller with keypad sound avoids incorrect key-in.
6. Additional input for anti-tailgating function ensures high security access control.
7. Built-in tamper switch.
8. Non-volatile memory stores all code settings for a long time, even in the event of total power failure.
9. Dual relays to control door lock and other security devices.
10. Aluminum alloy case designed with vandal resistant screws for enhanced safety and durability.
11. Epoxy sealed for waterproof grade IP65.

## II. Specification

Operating Voltage	12 VDC
Current Draw	Pull-In: 60mA/12 VDC, Holding: 30mA/12 VDC
RF Frequency	EM 125kHz
Read Range	5 cm (In noise-free environment)
Keypad	Backlight 12 digits (0~9, *, #)
Input	2 contacts for Request-To-Exit button 1 contact for door reed switch
Output	2 relays (N.O./N.C./Com. Dry Contact)
LED indicator	2 LED indicators display (Red/Green)
Memory Volume	1000+10 proximity cards/tokens and PINs
Relay Electric Current	Max. 2A/30 VDC, 0.6A/120 VAC
Relay Strike Time	01~99 seconds or Toggle Mode(00)
Ambient Humidity	5%~95% (Non-condensing)
Operating Temperature	-20°C~70°C

### III. Indicator Status & Default Setting Parameters

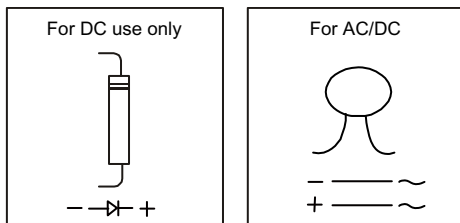
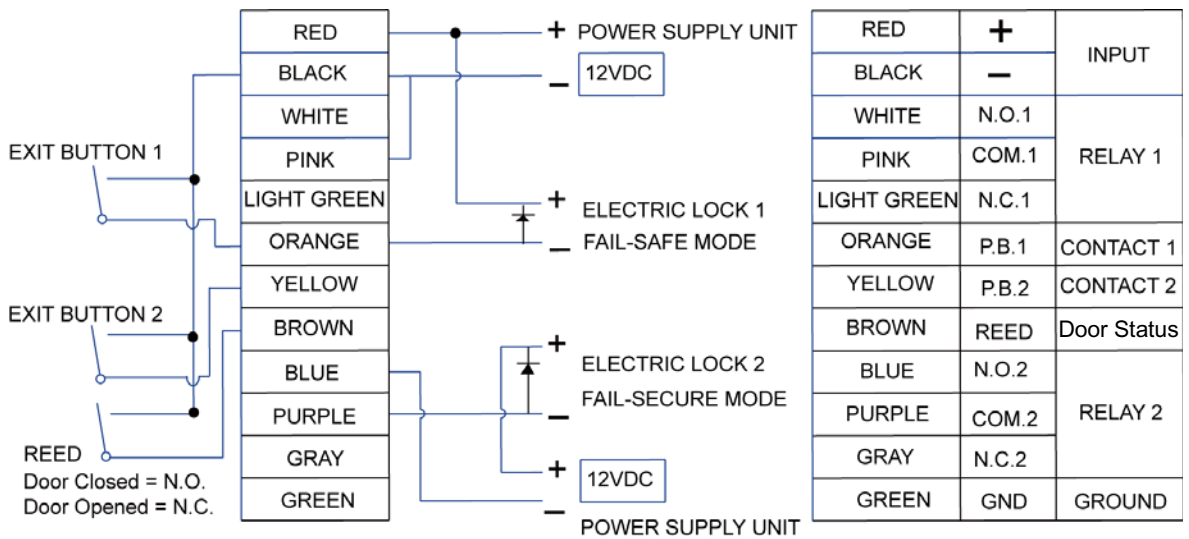
#### Beep & LED Indication:

	Mode	Signal	Status
LED	Standby	Right Green Stay On	Power on, Standby
		Green On	First relay active
		Red On	Second relay active
	Programming	Yellow Stay On	Enter programming mode
		Green Stay On	The slot position of first relay is available.
		Red Stay On	The slot position of first relay is unavailable.
		Green Stay On	The slot position of second relay is available.
Red Stay On	The slot position of second relay is unavailable.		
Beep	Standby	1 Beep	Valid card, key press, enter programming mode
		3 Beeps	Invalid card, incorrect PIN
	Programming	1 Beep	Correct input data, exit programming mode
		3 Beeps	Incorrect input data, other incorrect operation, duplicated card setting

#### Factory Default Setting:

Access Mode	Proximity Card Only
Format	All Bits
Card Storage (MAX. 1000+10 pcs)	None
Master Code	12345 (5 digits)
Alarm Function (All)	Function disabled
Relay Strike Time (Time Delay Setting)	5 seconds
Pressed Key Time Delay	5 seconds (Fixed)
PIN Code Input Waiting Time	5 seconds
Programming Mode Time Delay	25 seconds (Fixed)

## IV. Wiring Diagram



### Note :

1. It is suggested to use a linear power supply unit to prevent reading range reduction at the card reader.
2. It is suggested to use #22~26 AWG insulation wire.
3. Exit button is at N.O. contact.
4. With CE qualification EMC specification.
5. The door strike or relay must have a varistor or a diode across the door strike terminals to suppress the back EMF of the strike – failure to do so will damage the relay contacts and electronic components, or even burn the controller.

## V. Operation Instruction

### 1. Master Code

The master code comprises a five-digit number and is used to perform programming functions of the digital keypad and cannot be used for access i.e. it cannot be the same as other PINs. The default master code is set as 12345. Under normal operation the keypad is used for entering PIN to gain access. In the programming mode the keypad can be used to add/delete PINs, set relay strike time and other operation functions.

### 2. Entering Programming Mode

Enter the master code twice (12345 12345) to enter programming mode (1 long beep, Right Yellow LED stay on).

### 3. Setting the Access Mode

The dual authentication feature allows the keypad to be programmed to grant access with either Proximity Card only, PIN or Proximity Card, Proximity card and PIN.

1. Enter programming mode
2. Press \*0 (Right Yellow LED rapid flash)
3. Press 00 (1 beep, Right Yellow LED stay on) for Proximity Card Only  
Press 01 (1 beep, Right Yellow LED stay on) for Proximity Card or PIN  
Press 02 (1 beep, Right Yellow LED stay on) for Proximity Card + PIN
4. Press # (1 beep , Right Green LED stay on) back to standby mode

### 4. Setting the Relay Strike Time

The relay strike time determines the amount of time that the door remains unlocked after a valid proximity card or PIN is entered.

**\*NOTE: For both Relay 1 & Relay 2, enter 00 will set the relay strike time to 0 second (relay set to toggle mode).**

1. Enter programming mode
2. Press \*1 for Relay 1 (Right Yellow LED rapid flash)  
Press \*5 for Relay 2 (Right Yellow LED rapid flash)
3. Press 00~99 (1 beep, Right Yellow LED stay on)
4. Press # (1 beep Right Green LED stay on) back to standby mode

## 5. Clearing Memory of All Proximity Cards and PINs

1. Enter programming mode
2. Press \* 8 (Right Yellow LED rapid flash)
3. Press 88 (Right Yellow LED stay on, 1 long beep)
4. Press # (1 beep , Right Green LED stay on) back to standby mode

## 6. Resetting Controller Parameter to Default Value

1. Enter programming mode
2. Enter \* 8 (Right Yellow LED rapid flash)
3. Enter 99 (Both left & right Yellow LED stay on, 1 beep)
4. Press # (1 beep , Right Green LED stay on) back to standby mode

## 7. Adding a Proximity Card and PIN to Relay 1

### a.

1. Enter programming mode to select slot position 000~999 (Left Green LED stay on, Right Yellow LED rapid flash to indicate the slot position is available)
2. Read new card (1 beep), then press 5-digit PIN 99999(1 beep, Right Yellow LED stay on).
3. Press # (1 beep Right Green LED stay on) back to standby mode

**NOTE: Master codes must NOT be the same as PIN codes.**

### b.

1. Enter programming mode to select slot position 000~999 (Left Red LED stay on, Right Yellow LED rapid flash to indicate the slot position is unavailable)
2. Press \* \* (1 beep), delete the data from the slot position (Left Green LED stay on, Right Yellow LED rapid flash)
3. Repeat the steps of 7-a to add new card.

## 8. Adding a Proximity Card and PIN to Relay 2

**a.**

1. Enter programming mode
2. Press \*4 to select slot position 00~09 (Left Green LED stay on, Right Yellow LED rapid flash to indicate the slot position is available)
3. Read new card (1 beep, Right Yellow LED stay on)
4. Press # (1 beep , Right Green LED stay on) back to standby mode

**b.**

1. Enter programming mode
2. Press \*4 to select slot position 00~09 (Left Red LED stay on, Right Yellow LED rapid flash to indicate the slot position is unavailable)
3. Press \* \*(1 beep, Left Green LED stay on, Right Yellow LED rapid flash)
4. Repeat the steps of 8-a to add new card.

## **9. Changing Master Code**

1. Enter programming mode
2. Press \*3 (Right Yellow LED rapid flash)
3. Enter 5-digit master code twice e.g. 45678 45678 (1 beep, Right Yellow LED stay on)
4. Press # (1 beep , Right Green LED stay on) back to standby mode

## **10. Adding a New Master Card to Relay 1**

**a.**

1. Enter programming mode
2. Press \*7 (Left Green LED rapid flash, Right Yellow LED rapid flash to indicate the slot position is available)
3. Read new card to set as Master Card (1 beep, Right Yellow LED stay on)
4. Press # (1 beep , Right Green LED stay on) back to standby mode

**b.**

1. Enter programming mode
2. Press \*7 (Left Green LED stay on, Right Yellow LED rapid flash to indicate the Master Card had been stored)
3. Press \* \*(1 beep, Left Green LED rapid flash, Right Yellow LED rapid flash)
4. Repeat the steps of 10-a to add new master card.

## **11. Adding New Cards by Master Card**

### **a.**

1. Read master card once (1 beep, Right Yellow LED stay on)
2. Enter slot position 001~999 (Left Green LED stay on, Right Yellow LED rapid flash to indicate the slot position is available)
3. Read new card (1 beep), then enter 5-digit PIN 99999 (1 beep, Right Yellow LED stay on)
4. Press # (1 beep , Right Green LED stay on) back to standby mode

### **b.**

1. Read master card once (1 beep, Right Yellow LED stay on)
2. Enter slot position 001~999 (Left Red LED stay on, Right Yellow LED rapid flash to indicate the slot position is unavailable)
3. Press \* \* (1 beep, Left Green LED stay on, Right Yellow LED rapid flash)
4. Repeat the steps of 11-a to add new card.

## **12. Turning Anti-Tamper Alarm Function ON/OFF**

1. Enter programming mode
2. Press \* 6 (Right Yellow LED rapid flash)
3. Press 01 (1 beep, Right Yellow LED stay on) – function OFF  
Press 02 (1 beep, Right Yellow LED stay on) – function ON
4. Press # (1 beep , Right Green LED stay on) back to standby mode

## **13. Turning Doorbell Alarm Function ON/OFF**

1. Enter programming mode
2. Press \* 2 (Right Yellow LED rapid flash)
3. Press 01 (1 beep, Right Yellow LED stay on) – function OFF  
Press 02 (1 beep, Right Yellow LED stay on) – function ON
4. Press # (1 beep , Right Green LED stay on) back to standby mode

## **14. Resetting the Master Code to Default Value**

Turn off the power → Press # continuously, and energized (1 beep) the master code is reset to default value.